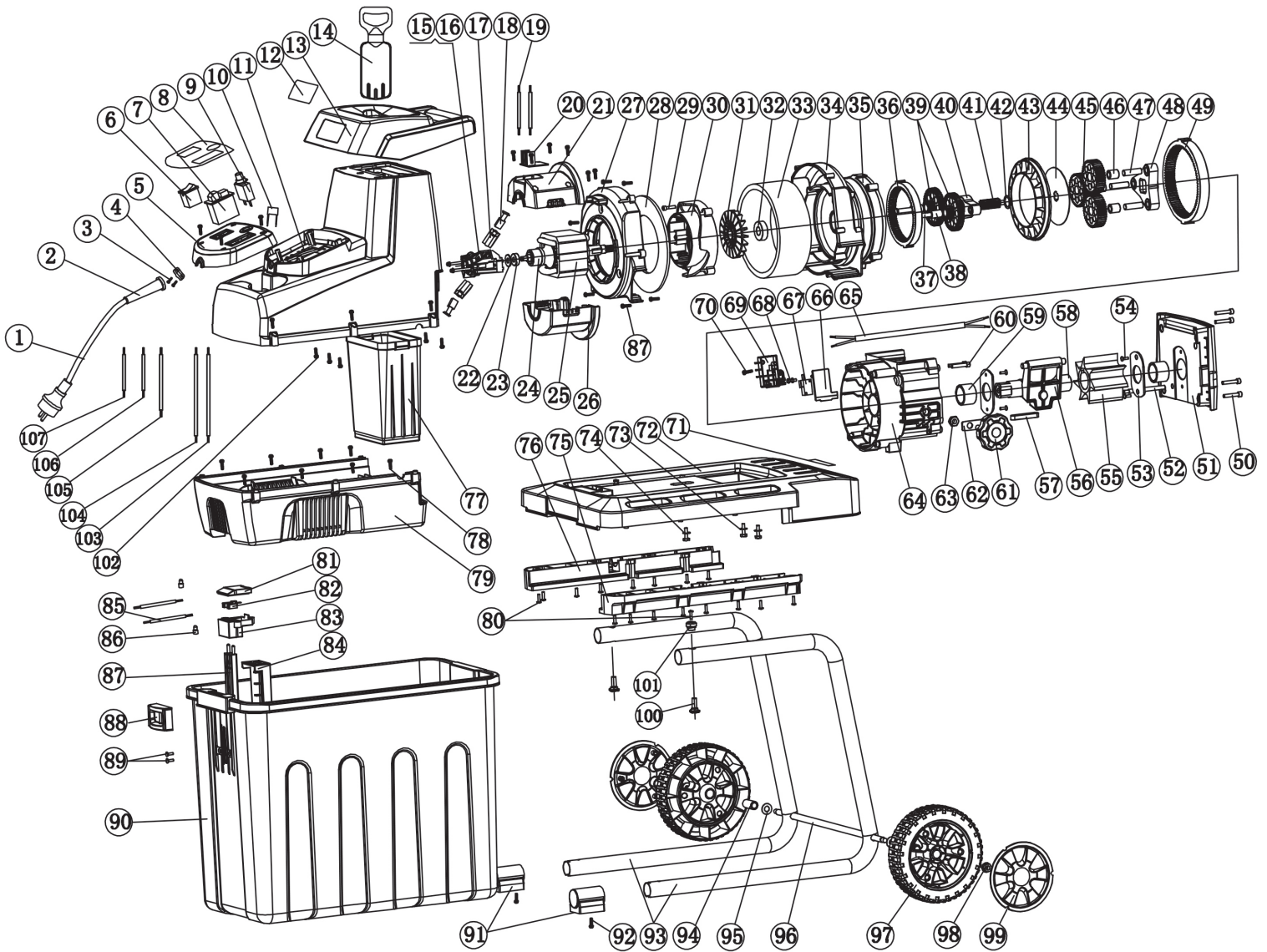




230V QUIET

GARDEN SHREDDER

97974 – GSS2800D SPARE PARTS LISTING





230V QUIET GARDEN SHREDDER

97974 – GSS2800D SPARE PARTS LISTING

KEY No.	PART No.	STOCK No.	DESCRIPTION
1	YGSS2800D-05A	92404	Switch panel assembly
2			
3			
4			
5			
6			
7			
8			
9			
10			
11			(NP) Upper cover
12			(NP) Main label
13			(NP) Feeder hopper
14	YGSS2800D-14	92420	Push stick
15	YGSS2800D-30A	92424	Motor assembly
16			
17			
18			
19			
20			
21			
22			
23			
24			
25			
26			
27			
28			
29			
30			
31			
32			
33			
34			
35			
36			
37			
38			
39			
40			

KEY No.	PART No.	STOCK No.	DESCRIPTION			
41	YGSS2800D-30A	92424	Motor assembly			
42						
43						
44						
45						
46						
47						
48						
49						
50						(NP) Internal hex nut
51			(NP) Front end housing			
52			(NP) Stop pin			
53			(NP) End plate			
54			(NP) Hex nut			
55	YGSS2800D-55	0 2682	Shredder gear			
56			(NP) Set piece complete			
57			(NP) Flat key			
58			(NP) Cutter shaft			
59			(NP) Cutter shaft sleeve			
60			(NP) Internal hex nut			
61			(NP) Adjusting knob			
62			(NP) Adjusting screw nut baffle			
63			(NP) Locknut			
64			(NP) Knife rest			
65	YGSS2800D-69A	92678	Switch box assembly			
66						
67						
68						
69						
70						
71						(NP) Warning placard
72						(NP) Engine base
73						(NP) Hexagon bolt
74						(NP) Gasket
75						(NP) Left tube support
76						(NP) Right tube support
77						(NP) Feedstock canister



230V QUIET GARDEN SHREDDER

97974 – GSS2800D SPARE PARTS LISTING

KEY No.	PART No.	STOCK No.	DESCRIPTION
78			(NP) Screw
79			(NP) Lower cover
80			(NP) Screw
81	YGSS2800D-83A	92680	Bayonet socket assembly
82			
83			
85			
86			
84			(NP) Bayonet socket box
87	YGSS2800A-90A	92681	Collection box assembly
88			
89			
90			
91	YGSS2800D93A	92682	Supporting tube assembly
92			
93			
100			
101			
94	YGSS2800D-97A	92683	Wheel assembly (pairs)
95			
96			
97			
98			
99			
102			(NP) Screw
103			(NP) Connection line
104			(NP) Connection line
105			(NP) Connection line
106			(NP) Connection line
107			(NP) Connection line